

Pneumatic Chamfering Tool

MINI BEVELER

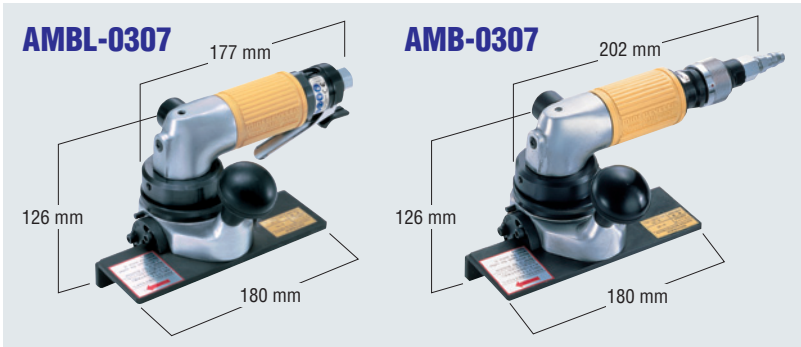
Lever Type

AMBL-0307



Ring Type

AMB-0307



Stainless Steel

3C

4R

Mild Steel

7C

4R

NOW A SMALL AIR BEVELER DOES THE BIG JOBS, TOO

- Applicable to stainless steel and mild steel chamfering
- Indexable inserts have four working edges for good economy
- Simple to adjust chamfering depth and replace Indexable Inserts
- Pipe outer edge can be also processed with standard accessories
- Chamfering angle can be adjusted to any desired position at 15° - 45°

Chamfer angle, width and radius

Chamfer Angle α	AMBL-0307/AMB-0307				Chamfer	Straight
	Stainless Steel (mm)		Mild Steel (mm)			
	X	Y	X	Y		
45°	3	3	7	7		
30°	2.2	3.8	4	7		
15°	1	3.8	2.2	8		

Model	AMBL-0307/AMB-0307		Radius	Round
Material	Stainless Steel	Mild Steel		
Radius (mm)	2, 3, 4	2, 3, 4		

Specifications

Model	AMBL-0307, AMB-0307	
Air Pressure	MPa (kgf/cm ²)	0.6 (6)
Air Consumption (No load)	m ³ /min	0.9
Free Speed	min ⁻¹ (rpm)	14,000
Chamfering Capacity	Mild Steel	0C - 7C or 2R, 3R, 4R
	Stainless Steel	0C - 3C or 2R, 3R, 4R
Chamfer Angle	15° - 45°	
Mass (Weight)	kg	2.9

Standard accessories

- 3 & 4 mm Hex. Socket Screw key : 1 pc. each
- Spanner : 1 pc.
- Hex. nut M8 : 2 pcs.
- Bushing R 3/8 x NPT 3/8
- 8 x 25 Hex. Socket Set Screw : 2 pcs.
- Indexable Insert Set Screw 4 x 7 : 1 pc.
- Indexable Insert : 1 pc.

Pneumatic Radial Chamfering Tool

CIRCUIT BEVELER

Model

CB-02



Lets you chamfer easily and smoothly no matter what the curve line is



Chamfer angle, width and radius

Chamfer Angle α	CB-02		Chamfer	Straight	Model	CB-02	Radius	Round
	Mild Steel (mm)							
	X	Y						
45°	2	2						
Radius (mm)	2							

- Versatility — chamfer either inner or outer edges
- Precisely adjust chamfer dimensions with accessory gauge

Specifications

Model	CB-02	
Air Pressure	MPa (kgf/cm ²)	0.6 (6)
Air Consumption (No load)	m ³ /min	0.4
Free Speed	min ⁻¹ (rpm)	13,000
Chamfering Capacity	0C - 2C, 2R	
Chamfer Angle	45°	
Mass (Weight)	kg	1.8

Standard accessories

- Indexable Insert : 1 pc.
- Adjustment gauge : 1 pc.
- Spanner T-9F : 1 pc.
- Protective cap : 1 pc.
- Hook Spanner 58-62 : 1 pc.
- Bushing R 1/4 x NPT 1/4

Optional accessories

- TA9A386 : Indexable Insert 9.525 sq. Ass'y (10 pcs.)
- TA9A592 : Indexable Insert 9.525 sq. R2 Ass'y (10 pcs.)

