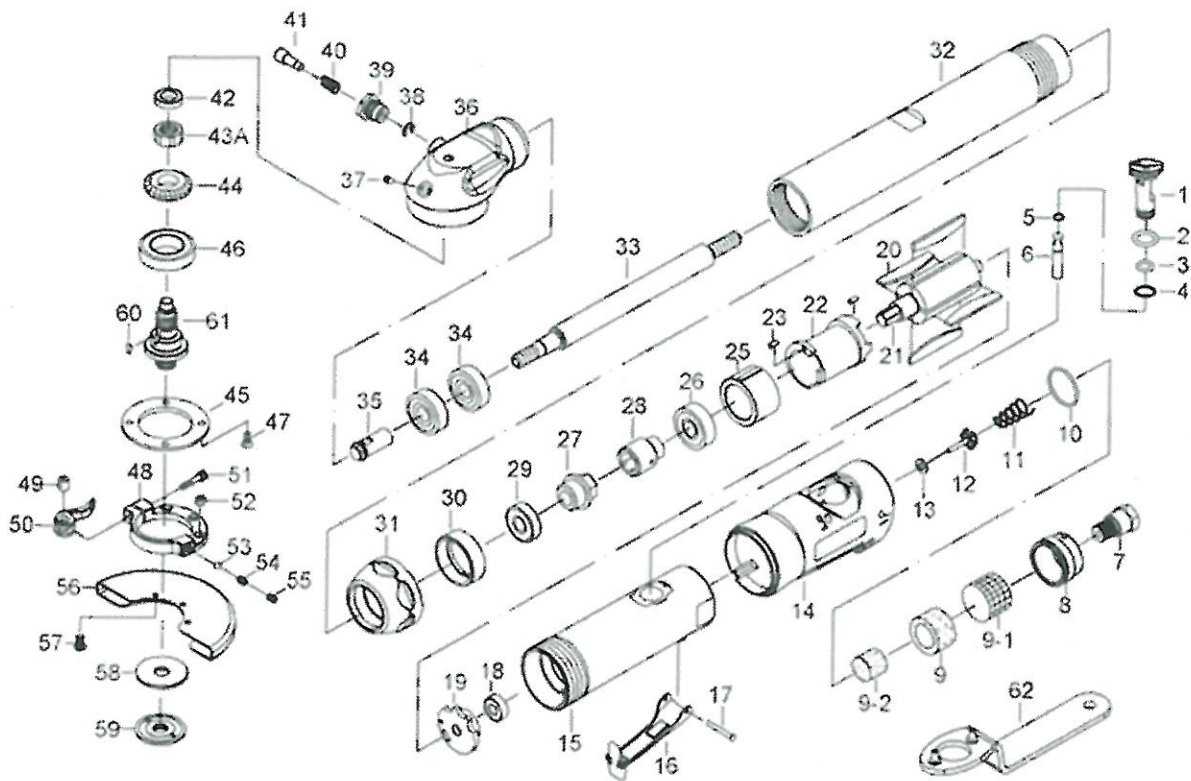


4" HEAVY DUTY AIR CORNER CUT OFF TOOL



4413

INDEX NO.	DESCRIPTION	REQ'D NO.	INDEX NO.	DESCRIPTION	REQ'D NO.
01	Regulator	1	32	Spindle Housing	1
02	O-Ring	1	33	Spindle	1
03	O-Ring	1	34	Bearing	2
04	Snap Ring	1	35	Pinion Gear	1
05	O-Ring	1	36	Angle Housing	1
06	Valve Stem	1	37	Grease Fitting	1
07	Air Inlet	1	38	Snap Ring	1
08	Exhaust Sleeve	1	39	Nut	1
09	Silencer	2	40	Spring	1
09-1	Stainless Mesh	1	41	Pin	1
09-2	Silencer	1	42	Bearing	1
10	O-Ring	1	43A	Nut	1
11	Spring	1	44	Pinion Gear	1
12	Valve	1	45	Face Plate	1
13	Washer	1	46	Bearing	1
14	Protecting Rubber	1	47	Screw	4
15	Housing	1	48	Guard Link	1
16	Safety Throttle Lever	1	49	Bushing	1
17	Spring Pin	1	50	Latch	1
18	Bearing	1	51	Screw	1
19	Rear Plate	1	52	Nut	3
20	Rotor Blade	4	53	Steel Ball	1
21	Rotor	1	54	Spring	1
22	Cylinder	1	55	Screw	1
23	Pin	2	56	Disc Cover	1
25	Front Plate	1	57	Screw	3
26	Bearing	1	58	Washer (For Arbor Hole 3/8")	1
27	Coupling Nut	1		Washer (For Arbor Hole 5/8")	1
28	Coupling	1	59	Disc Nut	1
29	Bearing	1	60	Key	1
30	Nut	1	61	Shaft	1
31	Clamp Nut	1	62	Wrench	1

0000.00.00

2016.02.17 2016.09.12