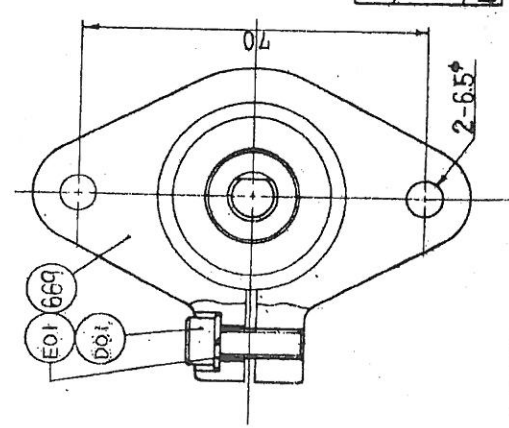
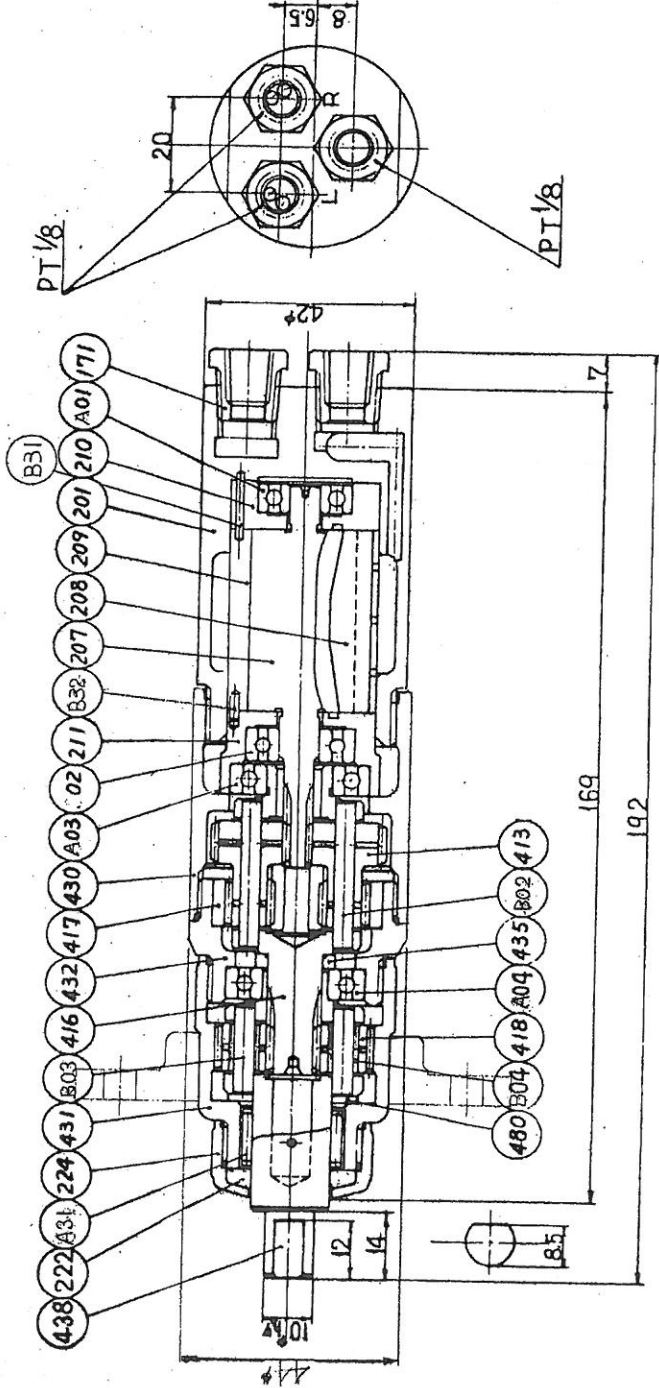


F-GSM-2.5R

DRAW NO.	PART NO.	NAME OF PARTS	Q'TY
171	1B-201000	INLET BUSHING	3
201	M-42201	HOUSING	1
207	W-100207	ROTOR	1
208	W-100208	ROTOR BLADE	5
209	W-74209	CYLINDER	1
210	M-74210	CYLINDER UPPER PLATE	1
211	W-74211	CYLINDER LOWER PLATE	1
222	R-003222-00	FELT RING	1
224	M-2224	PACKING CASE	1
B31	SP-1.618	SPRING PIN	1
B32	SP-1.66	SPRING PIN	1
415	M-2415	NO. 1 PLANET GEAR	2
B02	NR-431	NEEDLE ROLLER	2
416	M-2416	NO. 1 PLANET GEAR FRAME	1
417	M-2417	NO. 1 INTERNAL GEAR	1
418	M-2418	NO. 2 PLANET GEAR	2
B03	NR-419	NEEDLE ROLLER	1
430	D-86430	NO. 1 GEAR CASE	1
431	M-2431	NO. 2 GEAR CASE	1
432	M-2432	GEAR CASE COVER	1
435	M-2435	THRUST WASHER	1
438	M-42438	THRUST WASHER (B)	1
480	M-42480	FLANGE	1
669	M-42669	BALL BEARING	1
A01	BB-626	BALL BEARING	1
A02	BB-608	BALL BEARING	1
A03	BB-EE 4	BALL BEARING	1
A04	BB-EE 4	BALL BEARING	1
A31	NR-SC108	NEEDLE BEARING	1
D01	CS-618	CUP SCREW	1
E01	SW-6	SPRING WASHER	1
B04	NR-110.5	NEEDLE ROLLER	30



出図
11.3.-9
不二空機部

AIR MOTOR			
TYPE	F-6SM-2.5R		
DRAW NO.	M-045	SCALE	1/1
DATE	78 SEP.	DATE	4/10/74
FUJI AIR TOOLS CO., LTD.			

SPECIFICATIONS									
TYPE	AIR PRESSURE	FREE SPEED	STALL TORQUE	RETED TORQUE	AIR CONSUMPTION	OVERALL LENGTH	AIR INLET THREAD	HOSE SIZE	NET WEIGHT
F-GSM2.5R	kg/cm ²	R.P.M.	kg-cm	PS	lit/min	mm	in	in	kg
	6.0	8.5	2.50	0.29	0.34	12	192	7 7/8	1.2
			2.6	18.8				PT 1/8	5/8