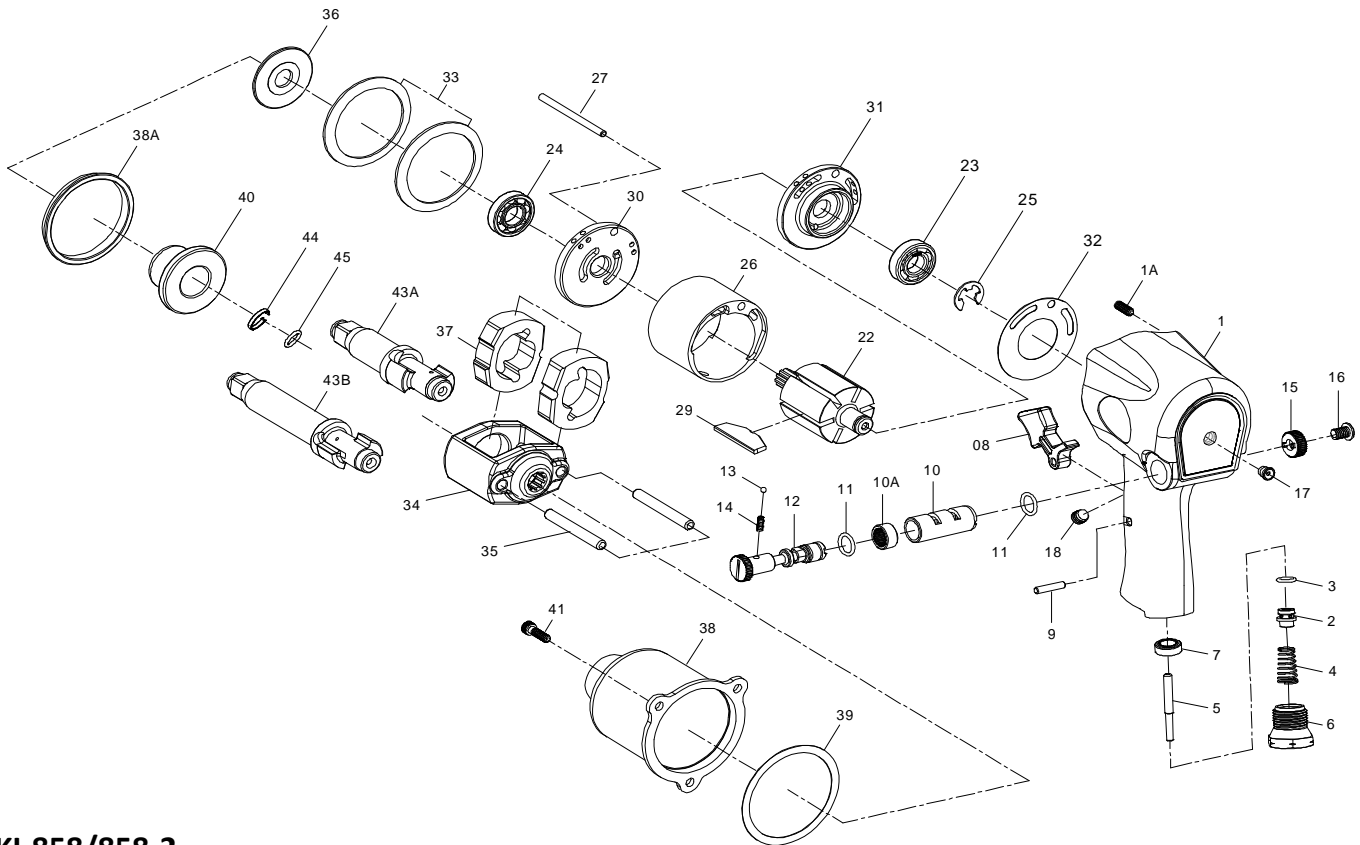


# 1/2" SQ. DR. SUPER DUTY IMPACT WRENCH



## KI-858/858-2

INDEX NO.	DESCRIPTION	REQ'D Q'TY	INDEX NO.	DESCRIPTION	REQ'D Q'TY
★ 1	Housing Assembly { inc l.1A.7.10.10A.17.18 }	1	25	Retainer	1
● 1A	Heli-Coil	3	26	Cylinder	1
2	Throttle Valve	1	27	Cylinder Dowel	1
3	O-Ring	1	29	Rotor Blade	6
4	Spring	1	30	Front End Plate	1
5	Throttle Valve Plunger	1	31	Rear End Plate	1
6	Air Inlet	1	32	Gasket	1
● 7	Throttle Valve Seat	1	33	Motor Clamp Washer	2
8	Trigger	1	34	Hammer Frame	1
9	Trigger Pin	1	35	Hammer Pin	2
● 10	Reverse Valve Bushing	1	36	Washer	1
● 10A	Reverse Valve Bushing Gear	1	37	Hammer	2
11	O-Ring	2	38	Hammer Case	1
12	Reverse Valve	1	38A	Separator	1
13	Steel Ball	1	39	Gasket	1
14	Spring	1	40	Bushing	1
15	Reverse Valve Knob	1	41	Screw	3
16	Screw	1	43A	Standard Anvil ( for KI-858 )	1
● 17	Grease Fitting	1	43B	2" Extended Anvil ( for KI-858-2 )	1
● 18	Set Screw	1	44	Socket Retainer	1
22	Rotor	1	45	O-Ring	1
23	Ball Bearing	1	TK	Tune-Up Kit {3.4.11(2).13.14.23.24.25.29(6).32.39.44.45 }	
24	Ball Bearing	1			

★ Must be Purchased in Assembly Set

● Recommended not to be purchased alone due to assembly diff

PA2-00858-2 20090409R1