

8 Exploded View/Parts List

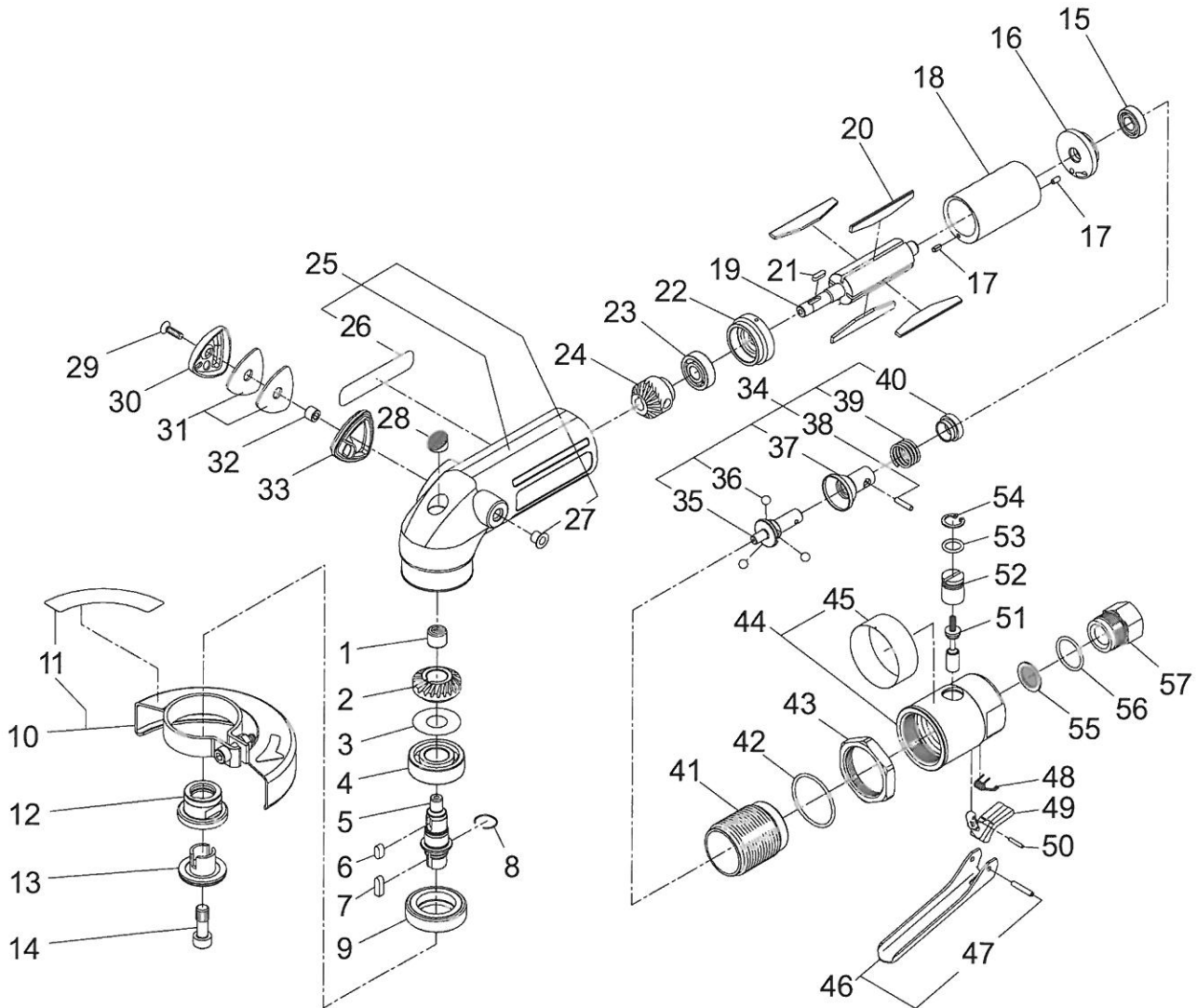
MG-40 Exploded View/Parts List

⚠ CAUTION

- Users should never perform disassembly of the tool.

This illustration is for reference only.

For repair or replacement of the tool, request service from the retailer where you purchased the tool or the nearest NITTO KOHKI's overseas affiliates/offices (see the back cover of this manual).



Parts inside () are components of the above assembly.

No	Part no.	Part name	Qty
1	TQ00893	Needle Bearing BK0810	1
2	TQ12725	Gear	1
3	TQ12887	Plate 13.1×30×0.2	1
4	TP01609	Ball Bearing 6202ZZ	1
5	TQ14922	Spindle	1
6	TP00502	Parallel key Both Ends Round 4×4×9.5	1
7	TQ14906	Parallel key 4×4×13.3 One End Round	1
8	TQ14977	Stop Ring I-0.8×15.4×7.0	1
9	TB08883	Bearing Set Screw Ass'y	1 set
10	TB10663	Wheel Guard Ass'y	1 set
11	(TQ15217)	Label Warning for Wheel Guard	1
12	TQ15219	Driving Flange	1

No.	Part no.	Part name	Qty
13	TQ15218	Outer Flange	1
14	TP09932	Outer Flange Bolt	1
15	TQ12782	Ball Bearing 699ZZ	1
16	TQ13029	End Plate A	1
17	TQ15529	Spring Pin 3×6 AW	2
18	TQ13033	Cylinder	1
19	TQ13032	Rotor	1
20	TB08707	Blade Ass'y (4pcs.)	1 set
21	TP10130	Parallel key Both Ends Round 3×3×10	1
22	TQ13030	End Plate B	1
23	TP10133	Ball Bearing 609ZZ	1
24	TQ12726	Pinion	1
25	TB10337	Housing Sub Ass'y	1 set
26	(TQ15216)	Label Warning	1
27	(TQ13074)	Cap 7.2	1
28	TQ14979	Plug 40	1
29	TQ14946	+ Countersunk Head Screw 4×14	1
30	TQ15090	Exhaust Cover 70	1
31	TQ14881	Muffler	2
32	TQ14880	Spacer	1
33	TQ15402	Packing Cover	1
34	TB10366	Governor Ass'y	1 set
35	(TQ15252)	Base	1
36	(CP03282)	Steel Ball 7/32	3
37	(TQ12067)	Sleeve	1
38	(TQ12090)	Needle Roller 2.5×13.8	1
39	(TQ13035)	Spring 1.4×15.5×16.3	1
40	(TQ12068)	Stopper	1
41	TQ12777	Adapter	1
42	TQ12780	O-ring JASO-1033	1
43	TQ12778	Lock Ring	1
44	TB10333	Valve Body Ass'y	1 set
45	(TQ15215)	Label Specification	1
46	TB05590	Throttle Lever Ass'y	1 set
47	(TQ15530)	Spring Pin 3×18 AW	1
48	TP14340	Torsion Spring	1
49	TQ15322	Lock Lever	1
50	TQ15528	Spring Pin 2×12 AW	1
51	TB05591	Throttle Valve Ass'y	1 set
52	TP04394	Adjust Valve	1
53	TP11992	O-ring KS-9	1
54	TQ15531	Internal Retaining Ring C-14	1
55	TP01658	Filter	1
56	CP25821	O-ring JASO-1020	1
57	TQ12671	Bushing M23×Rc 3/8	1

Accessories

No.	Part no.	Part name	Qty
	TP04004	Hex. Socket Screw Key 5	1
	TP00170	Hex. Socket Screw Key 6	1
	TQ12633	Spanner 19	1
	TQ02350	Bushing R 3/8×NPT 3/8	1
	TQ15220	Instruction Manual	1
	TQ15221	EC Declaration of Conformity	1