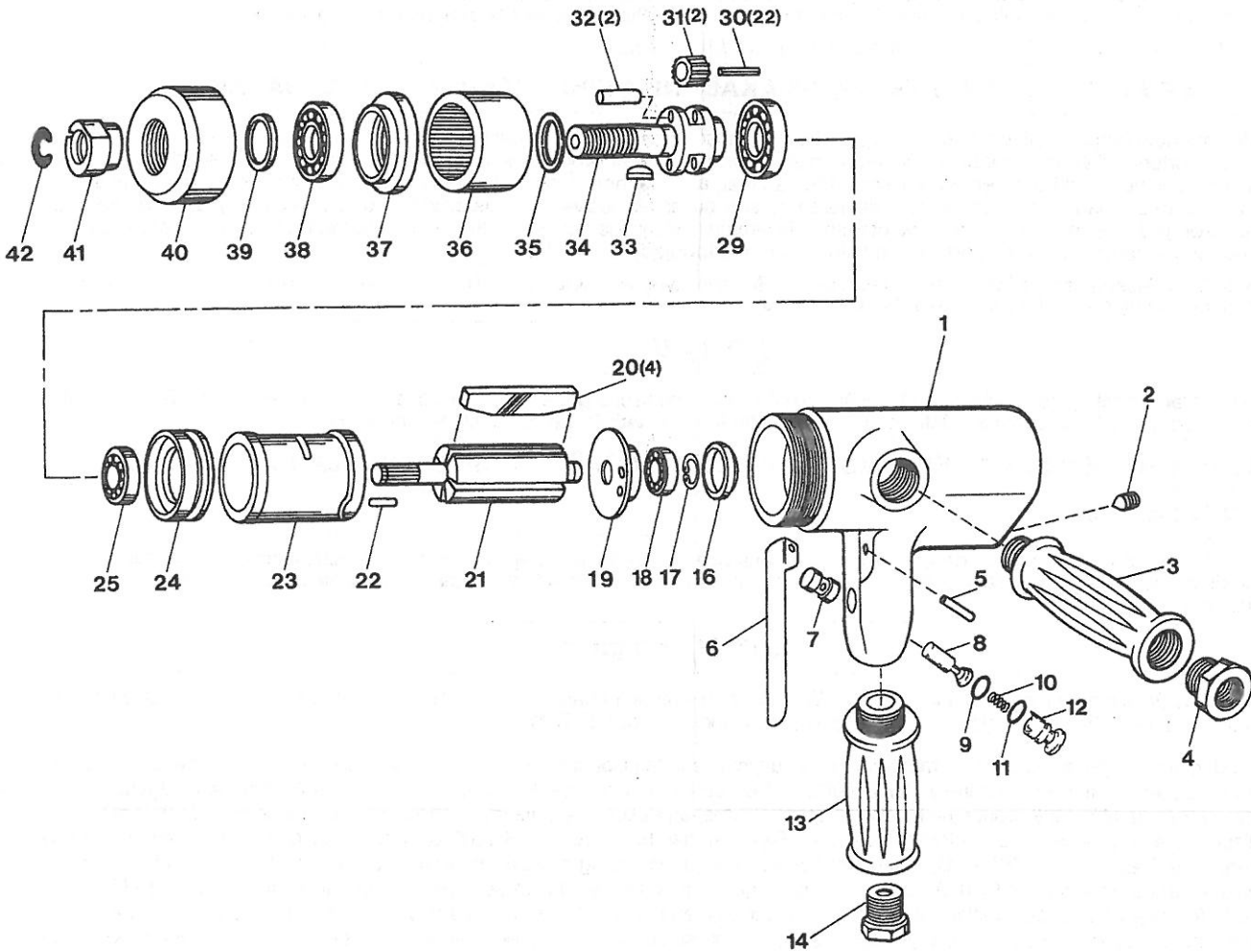


8" CAP. 2,200RPM VERTICAL POLISHER

EXPLODED VIEW



PARTS LIST

Index No.	Parts No.	Description	Qty. Per tool
1	24001	Motor Housing	1
2	24002	Oil Plug	1
3	24003	Dead Handle	1
4	24004	Exhaust Muffler	1
5	24005	Roll Pin	1
6	24006	Throttle Lever	1
7	24007	Valve Bushing	1
8	24008	Valve Stem	1
9	24009	"O" Ring	1
10	24010	Spring	1
11	24011	"O" Ring	1
12	24012	Air Regulator	1
13	24013	Handle	1
14	24014	Hose Adaptor	1
16	24016	Bearing Cap	1
17	24017	Retainer Ring	1
18	24018	Ball Bearing	1
19	24019	Rear End Plate	1
20	24020	Rotor Blade	4
21	24021	Rotor	1
22	24022	Dowel Pin	1
23	24023	Cylinder	1
24	24024	Front End Plate	1
25	24025	Ball Bearing	1
29	24029	Ball Bearing	1
30	24030	Needle Bearing	22
31	24031	Planet Gear	2
32	24032	Planet Pin	2
33	24033	Woodruff Key	1

Index No.	Parts No.	Description	Qty. Per tool
34	24034	Planet Cage	1
35	24035	Spacer	1
36	24036	Internal Gear	1
37	24037	Bearing Retainer	1
38	24038	Ball Bearing	1
39	24039	Oil Seal	1
40	24040	Clamp Nut	1
41	24041	Collar	1
42	24042	Collar Retainer Ring	1
43	24043	Spanner Wrench (Not Shown)	1
70	24070	7" Pad (Not Shown)	1
71	24071	Pad Attachment (Not Shown)	1
72	24072	Pad Nut (Not Shown)	1
73	24073	240A70~240A72 Complete	1