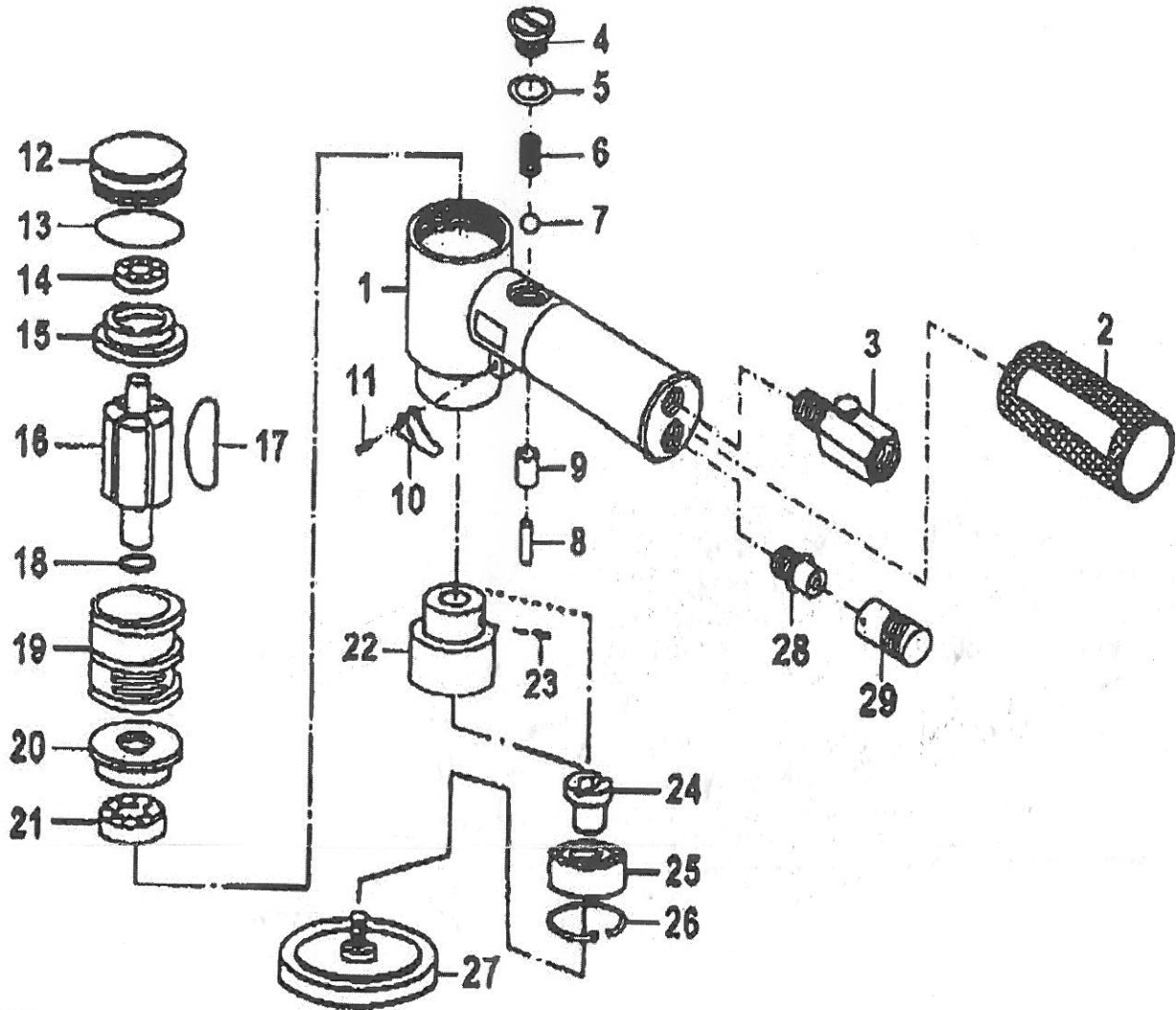


C-3710A

2" AIR DIAMOND SANDER W/O PAD



PARTS LIST

No.	Parts No.	Description	Q'ty
1	3710A-01	Diamond Sander Body	1
2	3710A-02	Rubber Sleeve	1
3	3710A-03	Regulator Ass'y	1
4	3710A-04	Plug	1
5	3710A-05	O-Ring (10x2.5)	1
6	3710A-06	Spring	1
7	3710A-07	Steel Ball (D7)	1
8	3710A-08	Valve Pin	1
9	3710A-09	Valve Bushing	1
10	3710A-10	Trigger	1
11	3710A-11	Spring Pin	1
12	3710A-12	Cap	1
13	3710A-13	O-Ring (28x2)	1
14	3710A-14	Ball Bearing (626)	1
15	3710A-15	Rear End Plate	1

No.	Parts No.	Description	Q'ty
16	3710A-16	Rotor	1
17	3710A-17	Rotor Blade	5
18	3710A-18	Collar	1
19	3710A-19	Cylinder	1
20	3710A-20	Front End Plate	1
21	3710A-21	Ball Bearing (R6)	1
22	3710A-22	Balancer	1
23	3710A-23	Set Screw	1
24	3710A-24	Driver Spindle	1
25	3710A-25	Ball Bearing (628ZZ)	1
26	3710A-26	Retaining Ring	1
27	3710A-27	Sanding Pad (option)	1
28	3710A-28	Muffer Body	1
29	3710A-29	Deflector	1