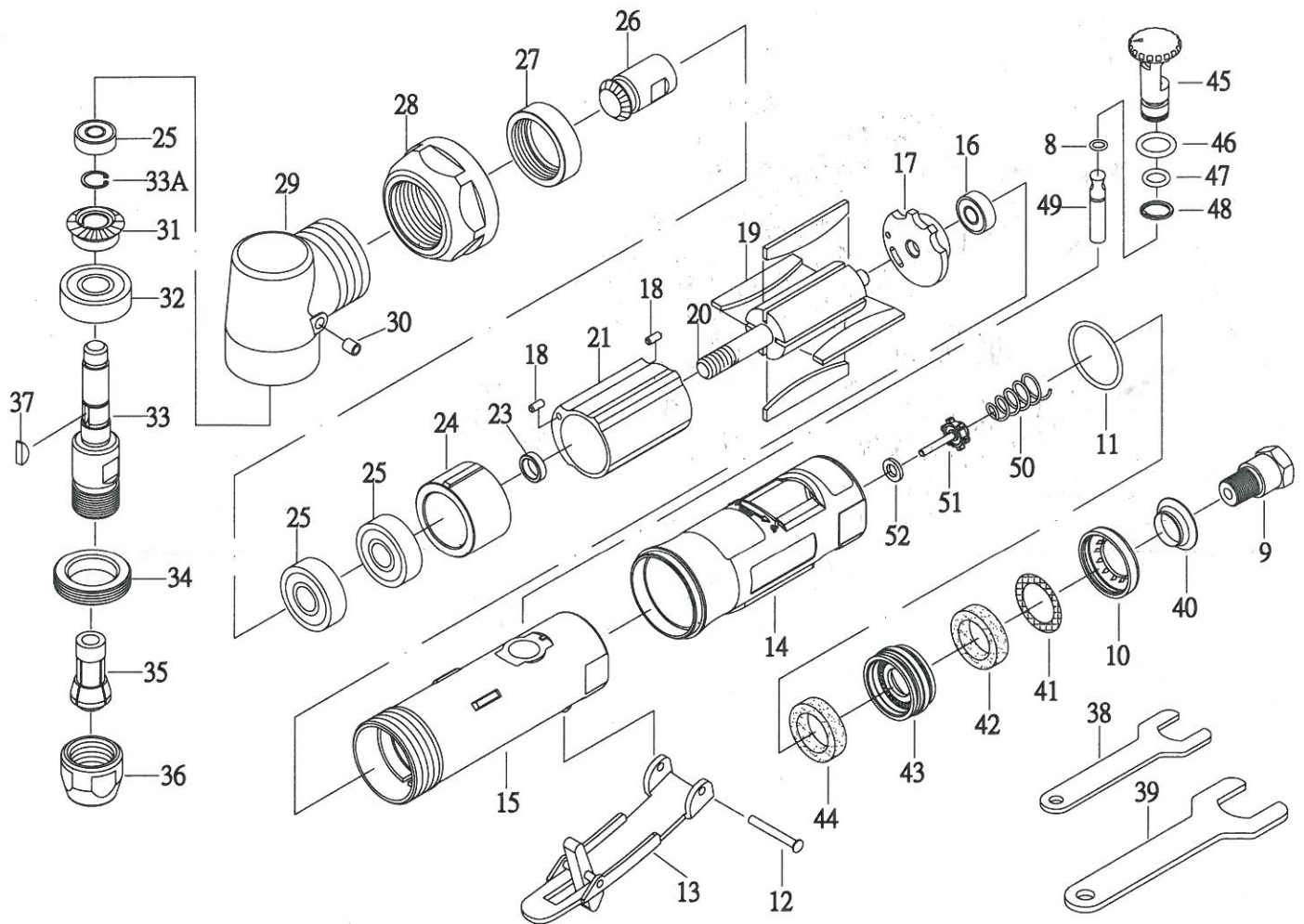


Technical Details	Speed	Collet	Length	Weight	Consumption	Noise dB(A)	Uncertainty	Vibration	Air Inlet	Pressure
	RPM	mm/inch	mm/inch	kg/lb	LPM / CFM	LpA LwA	KpA KWA	m/s ²	inch	Bar / PSI
74200	18000	6.0 (1/4)	178 (7.0)	0.7 (1.51)	80 (2.8)	80.9 91.9	3	4.23	1/4	6.3 (90)



Index No.	Description	Quantity	Index No.	Description	Quantity	Index No.	Description	Quantity
08	O-RING (3.5*1.4)	1	24	FRONT PLATE	1	38	STOP SPANNER (14M/M)	1
09	AIR INLET	1	25	BEARING (608ZZ)	3	39	STOP SPANNER (19M/M)	1
10	EXHAUST SLEEVE	1	26	BEVEL GEAR (18T)	1	40	MUFFLER BODY	1
11	O-RING (26.7*1.78)	1	27	NUT	1	41	STAINLESS MESH	1
12	SPRING PIN	1	28	CLAMP NUT	1	42	SILENCER	1
13	LEVER	1	29	ANGLE HOUSING	1	43	MUFFLER	1
14	PROTECTING RUBBER	1	30	OIL CUP	1	44	SILENCER	1
15	HOUSING	1	31	BEVEL GEAR (20T)	1	45	REGULATOR	1
16	BEARING (696ZZ)	1	32	BEARING (6000ZZ)	1	46	O-RING (P9)	1
17	REAR PLATE	1	33	SHAFT	1	47	O-RING (P10)	1
18	PIN	2	33A	SNAP RING	1	48	SNAP RING	1
19	ROTOR BLADE	4	34	CLAMP NUT	1	49	VALVE STEM	1
20	ROTOR	1	35	COLLET	1	50	SPRING	1
21	CYLINDER	1	36	COLLET NUT	1	51	VALVE	1
23	BEARING SPACER	1	37	KEY	1	52	WASHER	1