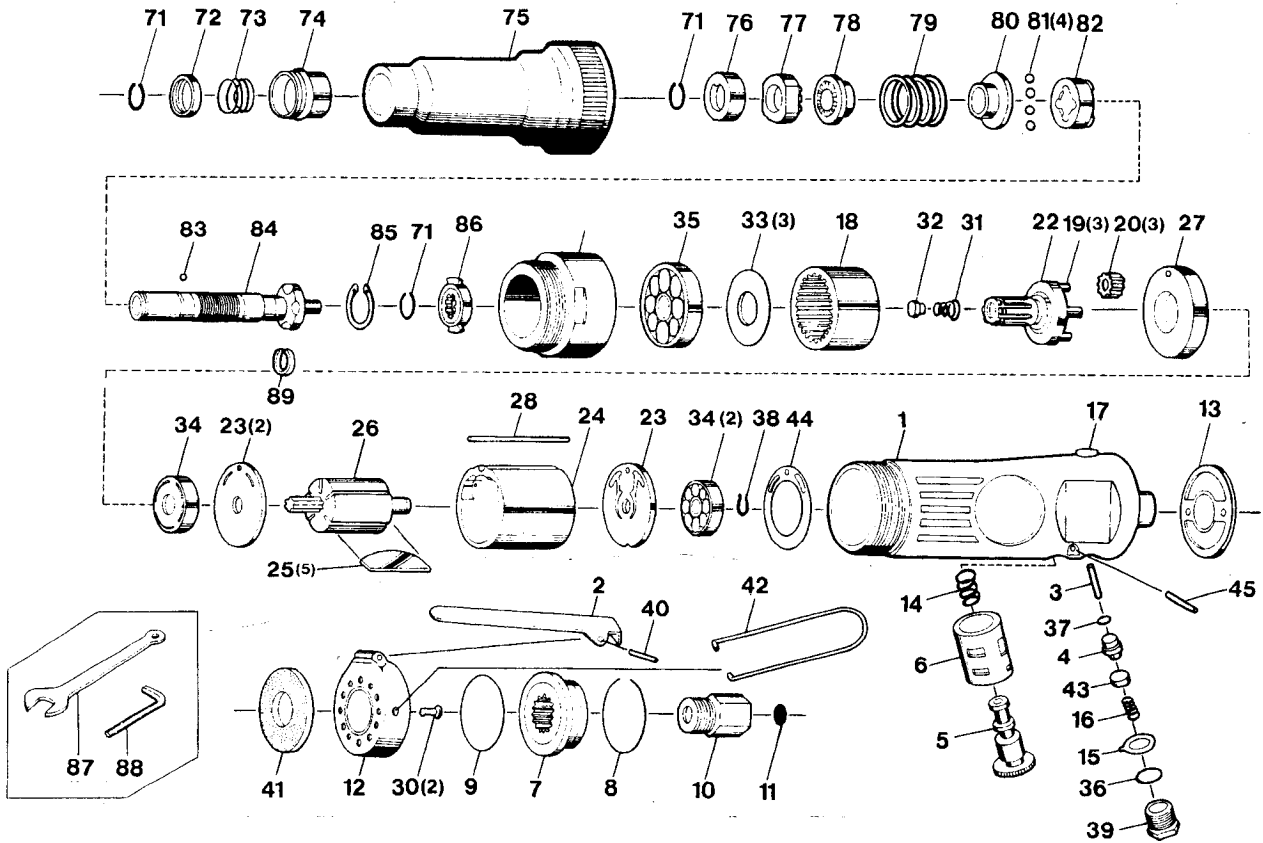


# 1/4" CAP. 1,300RPM SCREW DRIVER -STRAIGHT TYPE-

## EXPLODED VIEW



## PARTS LIST

Index No.	Parts No.	Description	Qty. Per tool
1	80001	Motor Housing Assy Incl: (6)(17)	1
2	80002	Throttle Lever	1
3	80003	Valve Pin	1
4	80004	Valve Stem	1
5	80005	Reverse Valve	1
6	80006	Reverse Valve Bush	1
7	80007	Deflector	1
8	80008	Deflector Stop Ring	1
9	80009	"O" Ring	1
10	80010	Bushing	1
11	80011	Screen	1
12	80012	Housing Cap	1
13	80013	Housing Gasket	1
14	80014	Reverse Spring	1
15	80015	Reverse Retainer	1
16	80016	Valve Spring	1
17	80017	Valve Bushing	1
18	80018	Internal Gear	1
19	80019	Idle Gear Pin	—
20	80020	Idle Gear with Bush(21)	3
21	80021	Idle Gear Bush	3
22	80022	Work Spindle Incl: (19)	1
23	80023	End Plate	2
24	80024	Liner	1
25	80025	Rotor Blade	5
26	80026	Rotor	1
27	80027	Spacer	1
28	80028	Liner Pin	1
29	80029	Lock Ring	1
30	80030	Screw	2
31	80031	Guide Pin Spring	1
32	80032	Guide Pin	1
33	80033	Seal Plate	3

Index No.	Parts No.	Description	Qty. Per tool
34	80034	Ball Bearing	2
35	80035	Ball Bearing	1
36	80036	"O" Ring	1
37	80037	"O" Ring	1
38	80038	Retainer Ring	1
39	80039	Valve Screw	1
40	80040	Roll Pin	1
41	80041	Muffler	1
42	80042	Hunger	1
43	80043	"O" Ring Retainer	1
44	80044	Motor Gasket	1
45	80045	Roll Pin	1
71	80071	Retainer Ring	3
72	80072	Washer	1
73	80073	Ball Ret. Spring	1
74	80074	Ball Retainer	1
75	80075	Clutch Case	1
76	80076	Spacer	1
77	80077	Adjust Nut	1
78	80078	Spring Seat	1
79	80079	Clutch Spring	1
80	80080	Thrust Washer	1
81	80081	Steel Ball (1/4")	4
82	80082	Clutch joe	1
83	80083	Steel Ball (1/8")	1
84	80084	Work Spindle	1
85	80085	Snap Ring	1
86	80086	Dog	1
87	80087	Spanner Wrench	1
88	80088	Allen Wrench	1
89	80089	Wiper	1

The types and specifications may be changed with without notice.  
800 0990