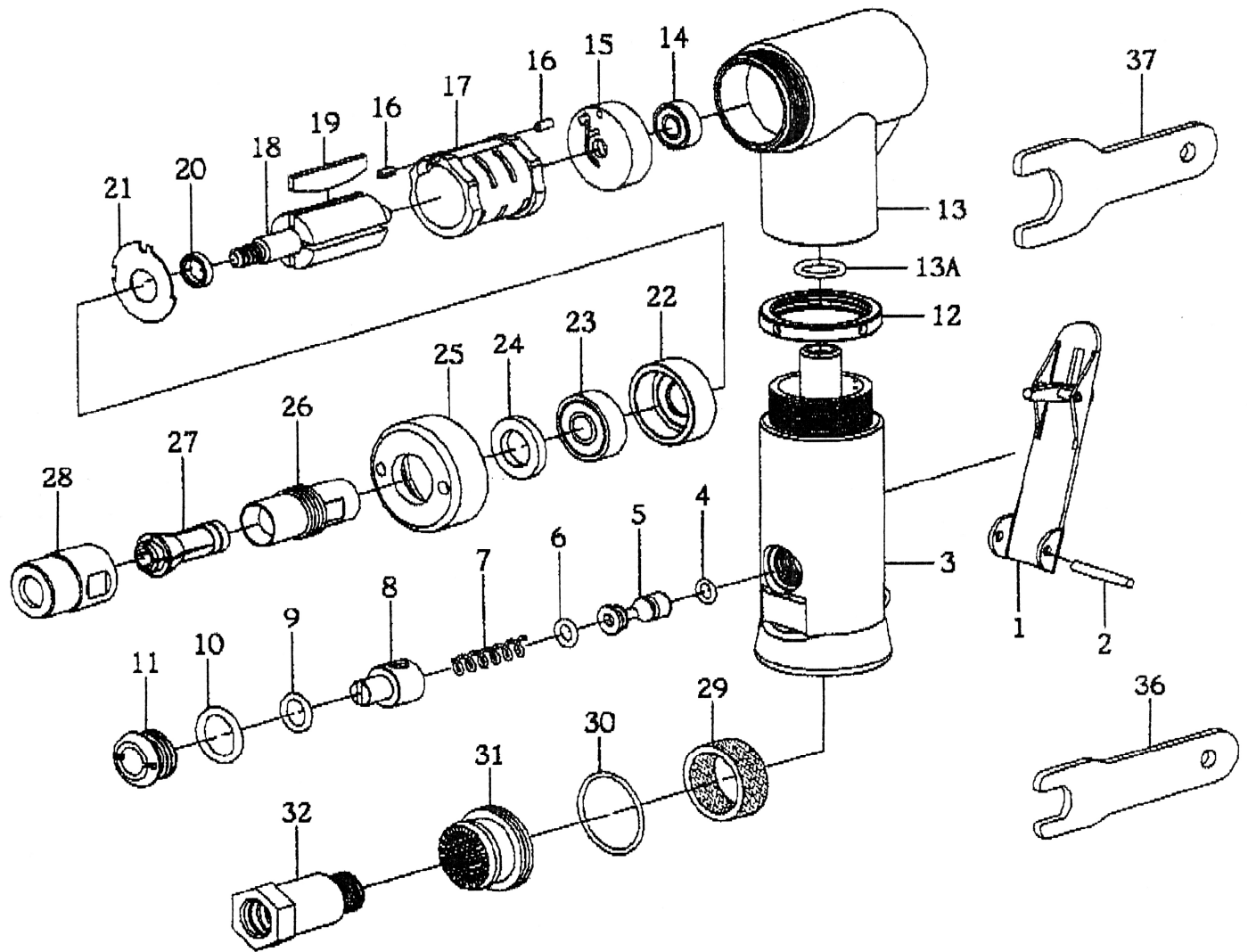


HEAVY DUTY AIR ANGLE DIE GRINDER



KI-6234-XA

INDEX NO.	DESCRIPTION	REQ'D Q'TY	INDEX NO.	DESCRIPTION	REQ'D Q'TY
01	Throttle Lever	1	18	Rotor	1
02	Spring Pin	1	19	Blade	4
03	Housing	1	20	Spacer	1
04	O-Ring	1	21	Steel Plate	1
05	Valve Stem	1	22	Front Plate	1
06	O-Ring	1	23	Bearing	1
07	Valve Spring	1	24	Silencer	1
08	Air Controller	1	25	Cover	1
09	O-Ring	1	26	Spindle	1
10	O-Ring	1	27	Collet	1
11	Valve Screw	1	28	Collet Nut	1
12	Lock Nut	1	29	Silencer	1
13	Housing	1	30	O-Ring	1
13A	O-Ring	1	31	Air Deflector	1
14	Bearing	1	32	Air Inlet	1
15	End Plate	1	36	Wrench(11mm)	1
16	Pin	2	37	Wrench(17mm)	1
17	Cylinder	1			

2009.02.18
2010.07.02